

aquatica®

Function, Form & Fashion



Lorena-SC-686 & Lorena-SC-689

Shower Controls with 1 and 2 Outlets

Installation & Care Manual
Europe / International

Lorena-SC-686

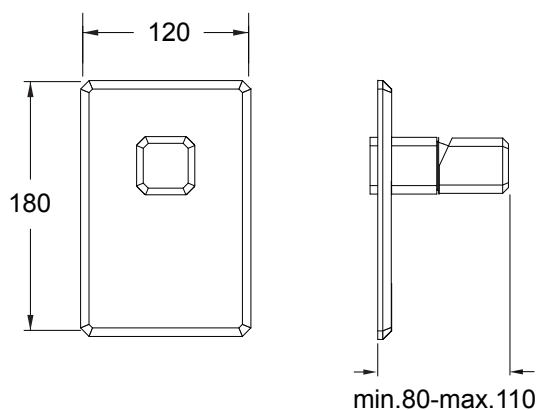
Lorena-SC-689

Shower Controls with 1 and 2 Outlets

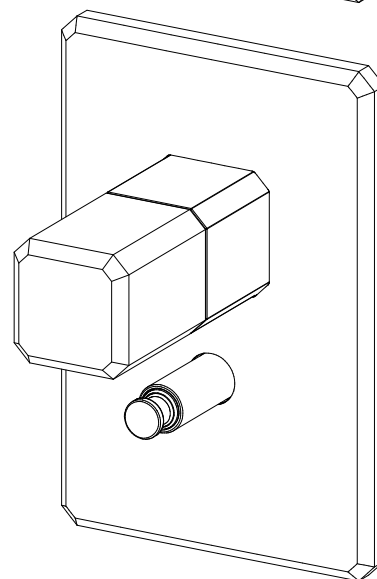
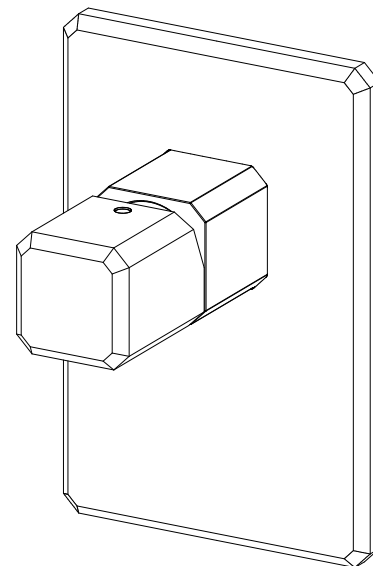
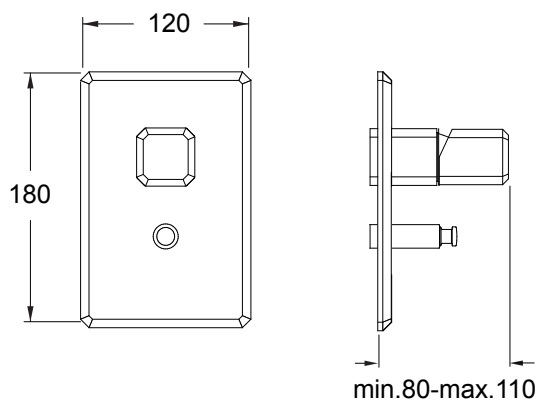
PARTS LIST

 MEASUREMENTS: mm

Lorena-SC-686



Lorena-SC-689



SPECIFICATIONS

Recommended operational pressure	1-5 bar
Maximum test pressure	16 bar
Maximum hot water temperature	70 °C
Recommended temperature	50-60 °C
Pressure difference between hot and cold water	max. 1,5 bar

IMPORTANT NOTE

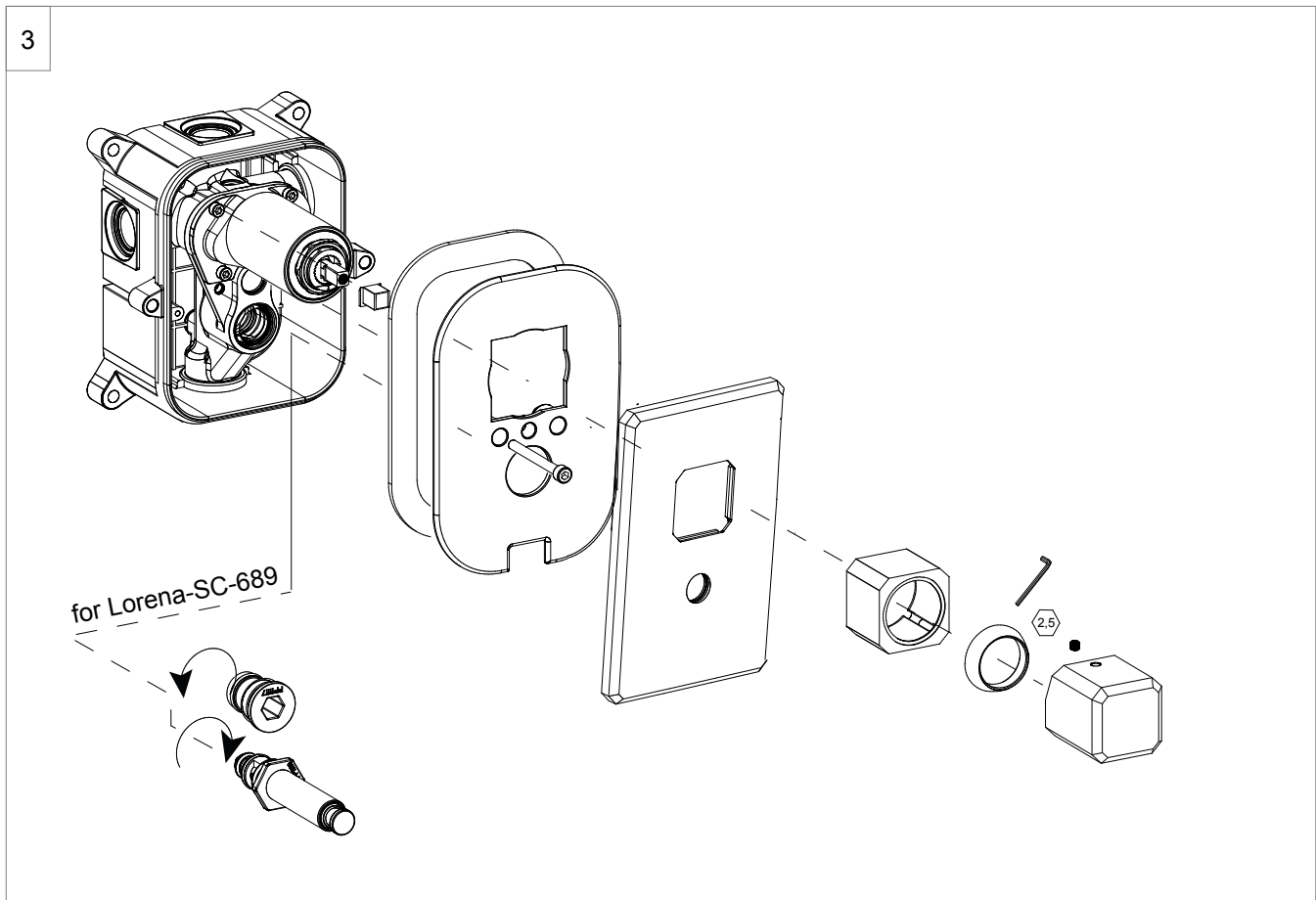
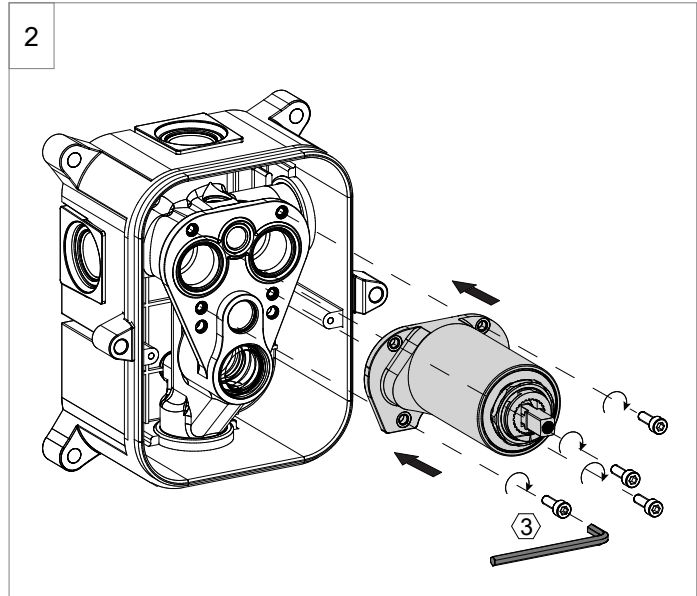
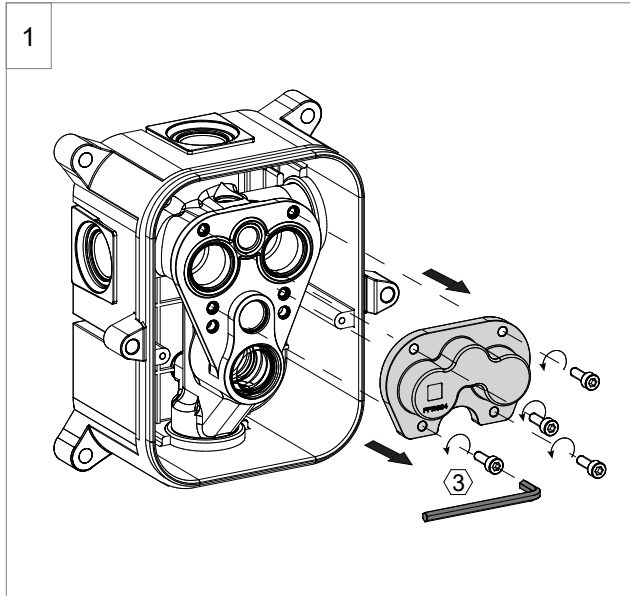
- Installation to be performed by qualified personnel
- Before connecting to mains, bleed the pipes to avoid damage.



Lorena-SC-686
Lorena-SC-689

Shower Controls with 1 and 2 Outlets

INSTALLATION



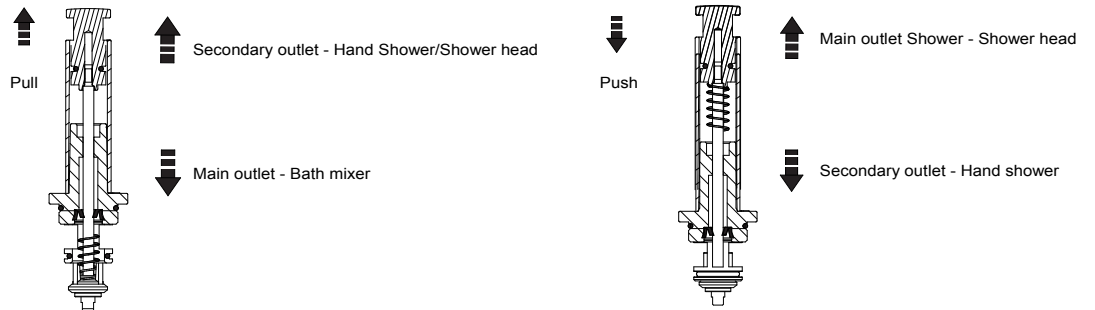
Lorena-SC-686

Lorena-SC-689

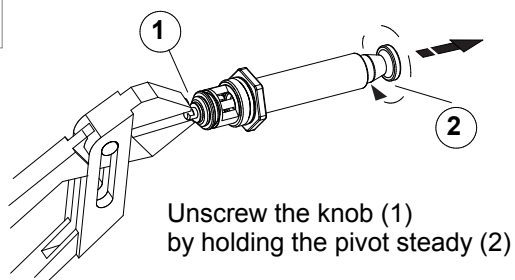
Shower Controls with 1 and 2 Outlets

INSTALLATION

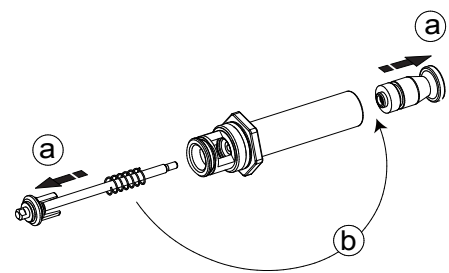
DIVERTER



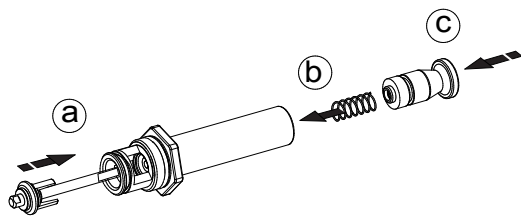
1



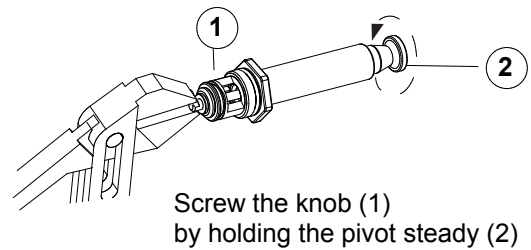
2



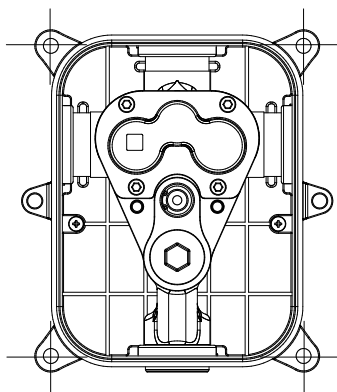
3



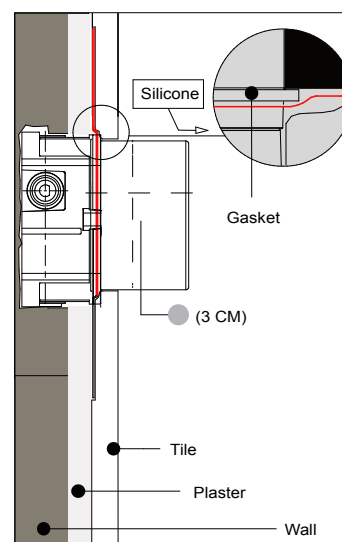
4



CS535



Preparation for the installation in:
plasterboard, wood, etc.



aquatica®

Function, Form & Fashion

